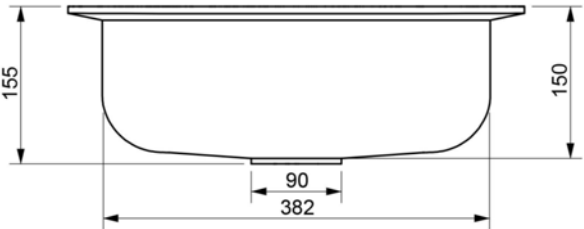
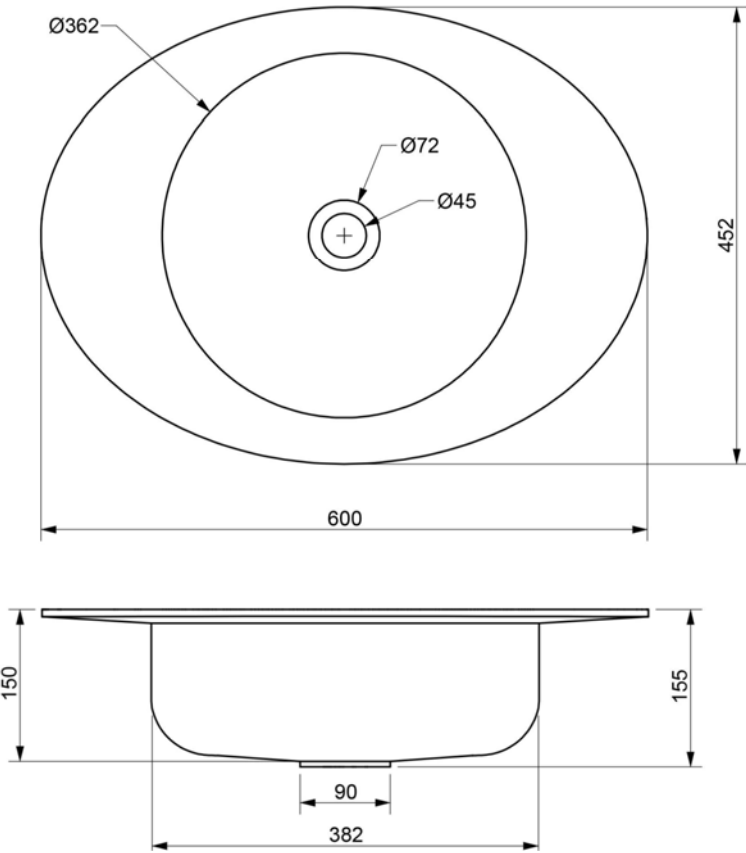




SOLIDCAP PS IDV 290226



SOLID SURFACE OVALE SHAPE WASHBASIN



SOLIDCAP PS IDV 290226

24 "x 18 " x 6 " - 43 LBS  
 VESSEL WITH 6" WIDE SHELF LEFT & RIGHT  
 3" WIDE FRONT & BACK  
 MATTE WHITE.  
 GRID DRAIN NOT INCLUDED  
 SHOWN WITH DRAIN PS IDV 281148



Project Information  
 Job Name: \_\_\_\_\_ Date: \_\_\_\_\_ Type of hardware: \_\_\_\_\_  
 Comments: \_\_\_\_\_  
 Approved: \_\_\_\_\_